

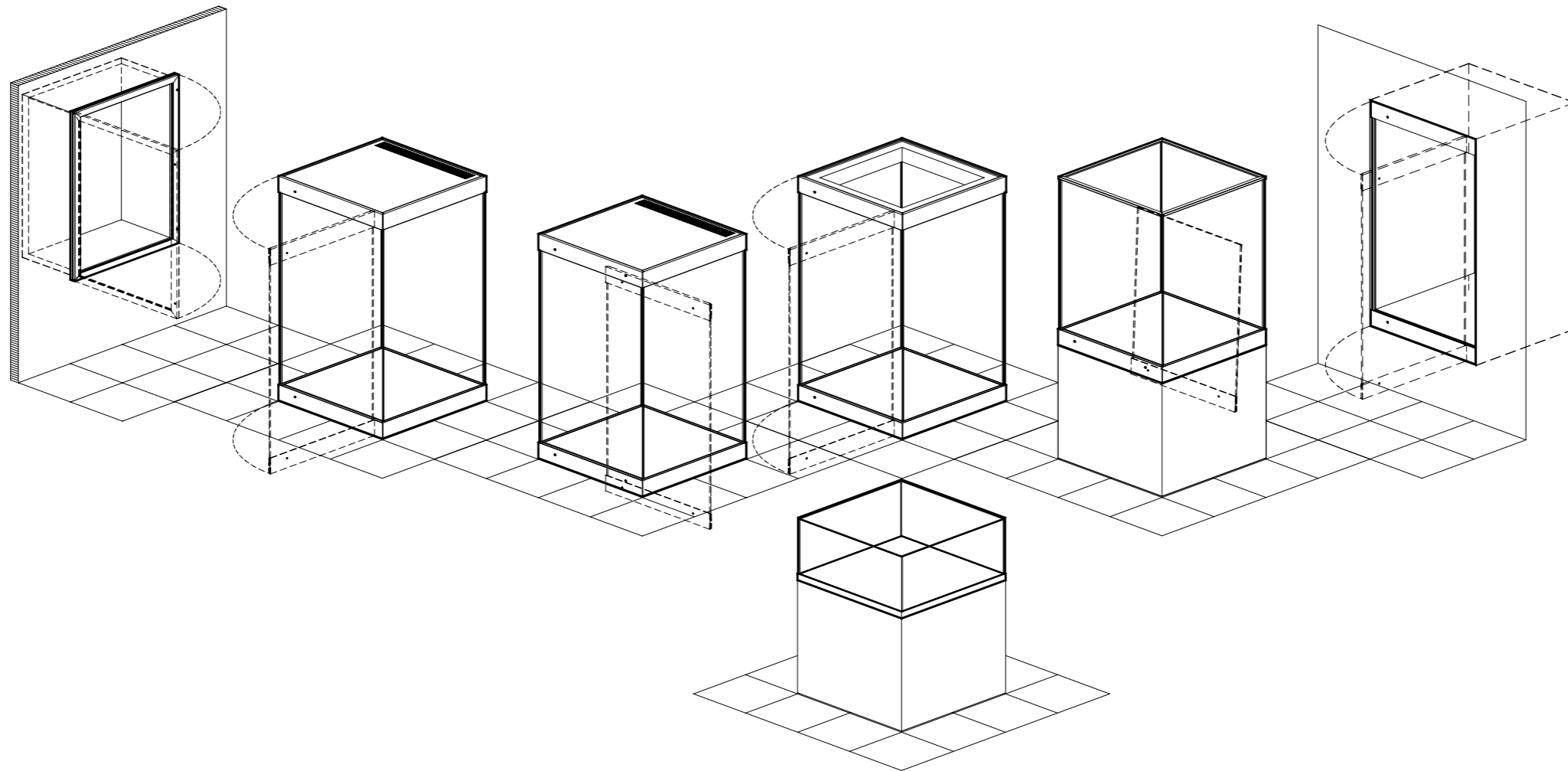
**ARMOUR
SYSTEMS**



CONSERVATION BY DESIGN

A Larson-Juhl Company

The Museum Showcase Brochure a guide for designers & specifiers



Museum showcase menu

**ARMOUR
SYSTEMS**

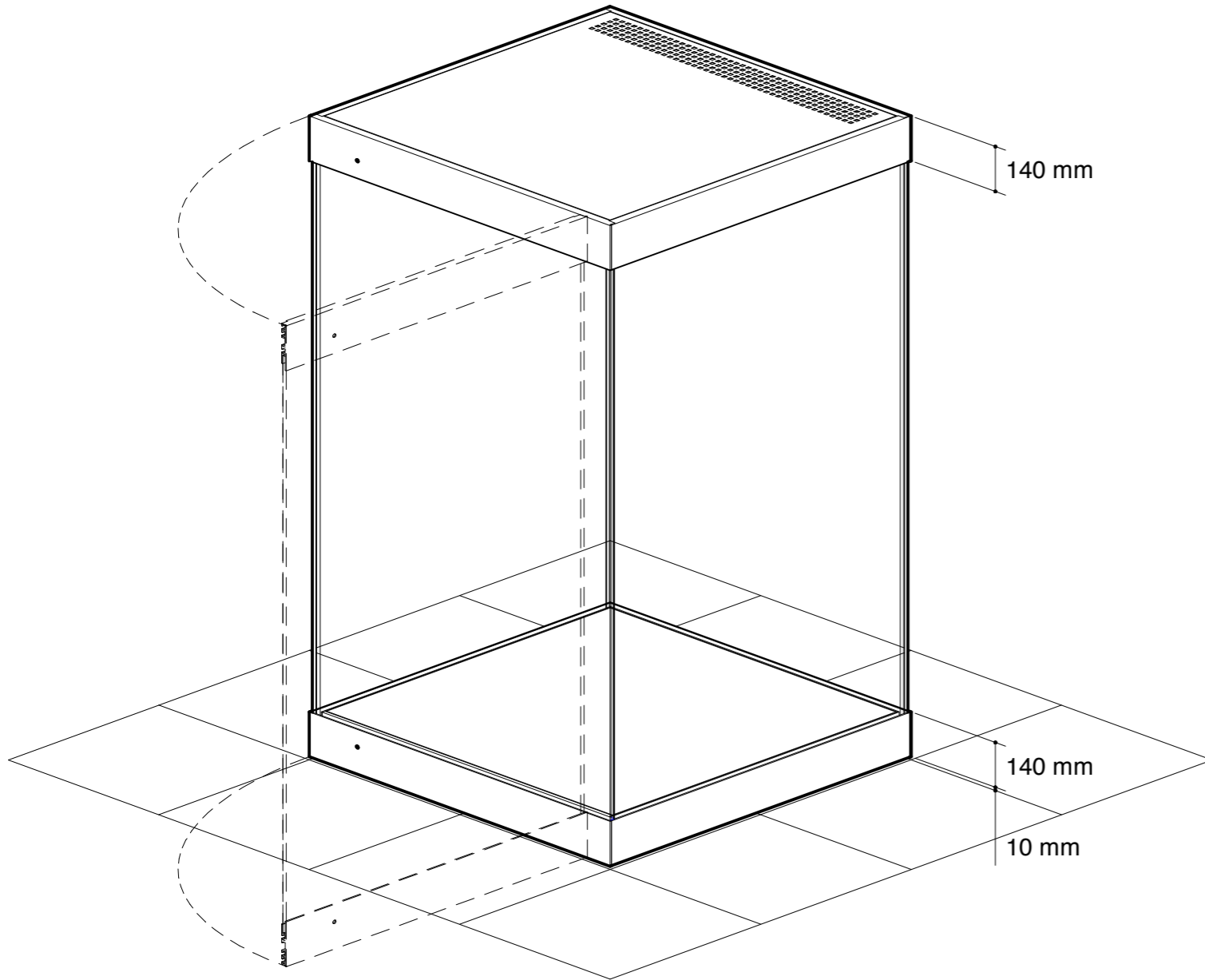


CONSERVATION BY DESIGN

A Larson-Juhl Company

1.01	Nova showcase with hinged door Glazed on 4 sides
1.02	Nova showcase with pull & slide door Glazed on 4 sides
1.03	Nova showcase with hinged door Glazed on 3 sides with solid back
1.04	Nova showcase with glazed hinged door with solid back & side panels
1.05	Nova showcase with hinged door Glazed on 4 sides + glazed top
1.06	Nova showcase with single mechanism pull & slide door Glazed on 5 sides
1.07	Nova fascia system casefront with hinged or pull & slide door For building into structures
2.01	ProFrame casefront with hinged door For building into structures
3.01	Vision plinth top showcase with lift off or hinged canopy Glazed on 5 sides
3.02	Vision wall mounted showcase with lift off or hinged canopy Glazed on 5 sides
4.01	Shelving: Suspended or Cantilevered options For Nova & ProFrame showcases

High security conservation showcase with hinged door
Glazed on 4 sides



Standard features ●
Optional features ○

Exterior frame finish

● Polyester powder coated to any RAL colour ref

Glazing

● 11.5mm laminated standard glass
○ 13.5mm laminated standard glass

○ 11.5mm laminated low iron glass
○ 13.5mm laminated low iron glass

○ 11.5mm laminated low reflective glass
○ 13.5mm laminated low reflective glass

Interior dress panel

Header & base panels in sealed ZF MDF

○ Fabric finished to client's specification

○ Polyester powder coated to any RAL colour ref

○ Conservation grade emulsion painted to client's specification

○ Laminate finished to client's specification

Security

● Concealed Abloy balanced cam locks

○ Abloy cylinder locks with espagnolette bolt system

Lighting

○ Fibre optic heads with remote dimmable low voltage tungsten halogen projector

○ Fibre optic heads with remote metal halide projector

○ Low voltage LED

Conditioning

○ Silica gel cassette compartment

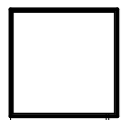
○ Micro Climate AS 600 fan assisted silica gel system for larger volume showcases

Shelving

○ Adjustable suspended rod system with 10mm toughened glass shelves

Adjustable cantilever system with 10mm toughened glass shelves

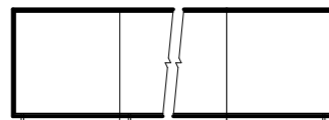
Typical 'Concourse' configurations



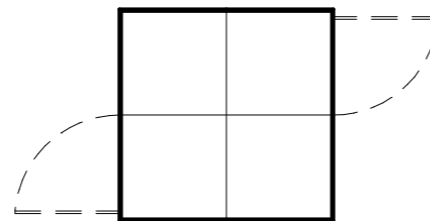
Single bay



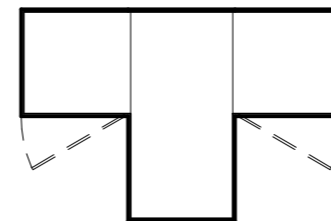
Double bay



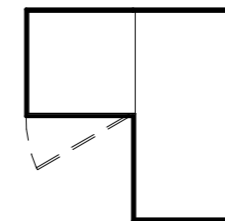
Multi bay



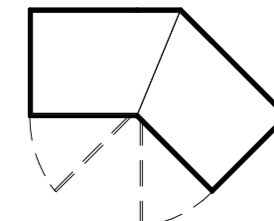
Multi bay



'T' form

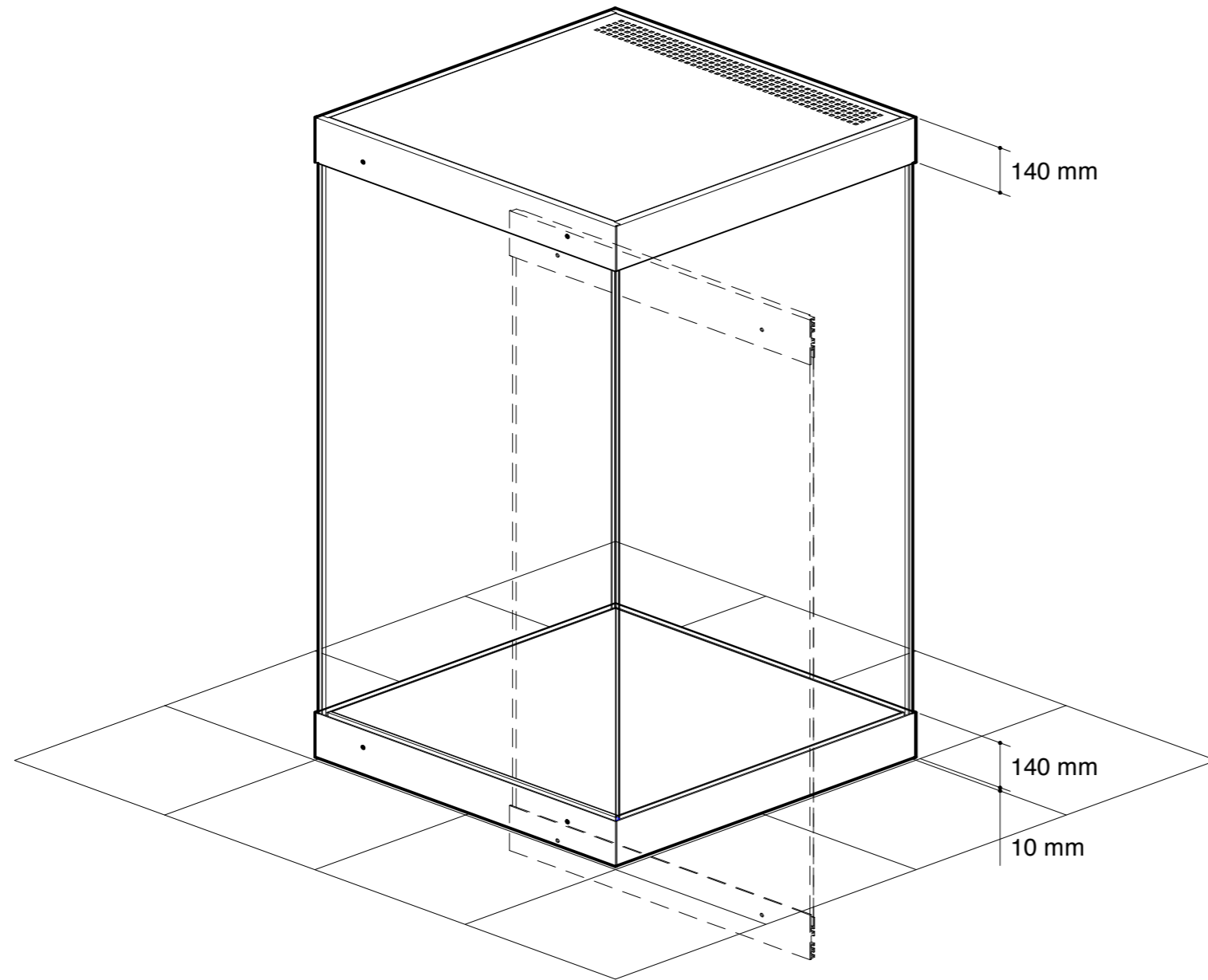


'L' form



Faceted form

High security conservation showcase with pull & slide door
Glazed on 4 sides



Standard features ●
Optional features ○

Exterior frame finish

● Polyester powder coated to any RAL colour ref

Glazing

● 11.5mm laminated standard glass
○ 13.5mm laminated standard glass

○ 11.5mm laminated low iron glass
○ 13.5mm laminated low iron glass

○ 11.5mm laminated low reflective glass
○ 13.5mm laminated low reflective glass

Interior dress panel

Header & base panels in sealed ZF MDF

○ Fabric finished to client's specification

○ Polyester powder coated to any RAL colour ref

○ Conservation grade emulsion painted to client's specification

○ Laminate finished to client's specification

Security

● Concealed Abloy balanced cam locks

○ Abloy cylinder locks with espagnolette bolt system

Lighting

○ Fibre optic heads with remote dimmable low voltage tungsten halogen projector

○ Fibre optic heads with remote metal halide projector

○ Low voltage LED

Conditioning

○ Silica gel cassette compartment

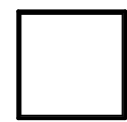
○ Micro Climate AS 600 fan assisted silica gel system for larger volume showcases

Shelving

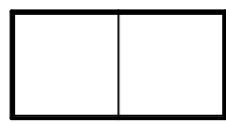
○ Adjustable suspended rod system with 10mm toughened glass shelves

Adjustable cantilever system with 10mm toughened glass shelves

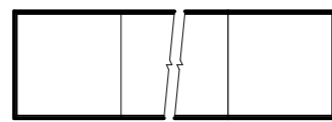
Typical 'Concourse' configurations



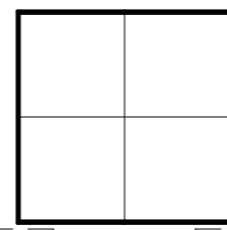
Single bay



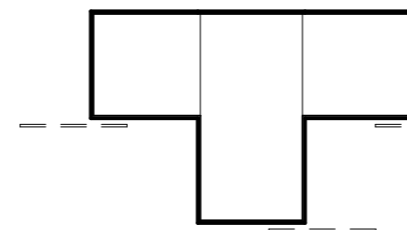
Double bay



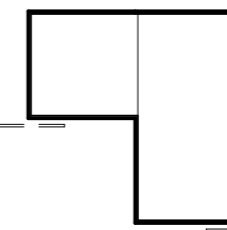
Multi bay



Multi bay

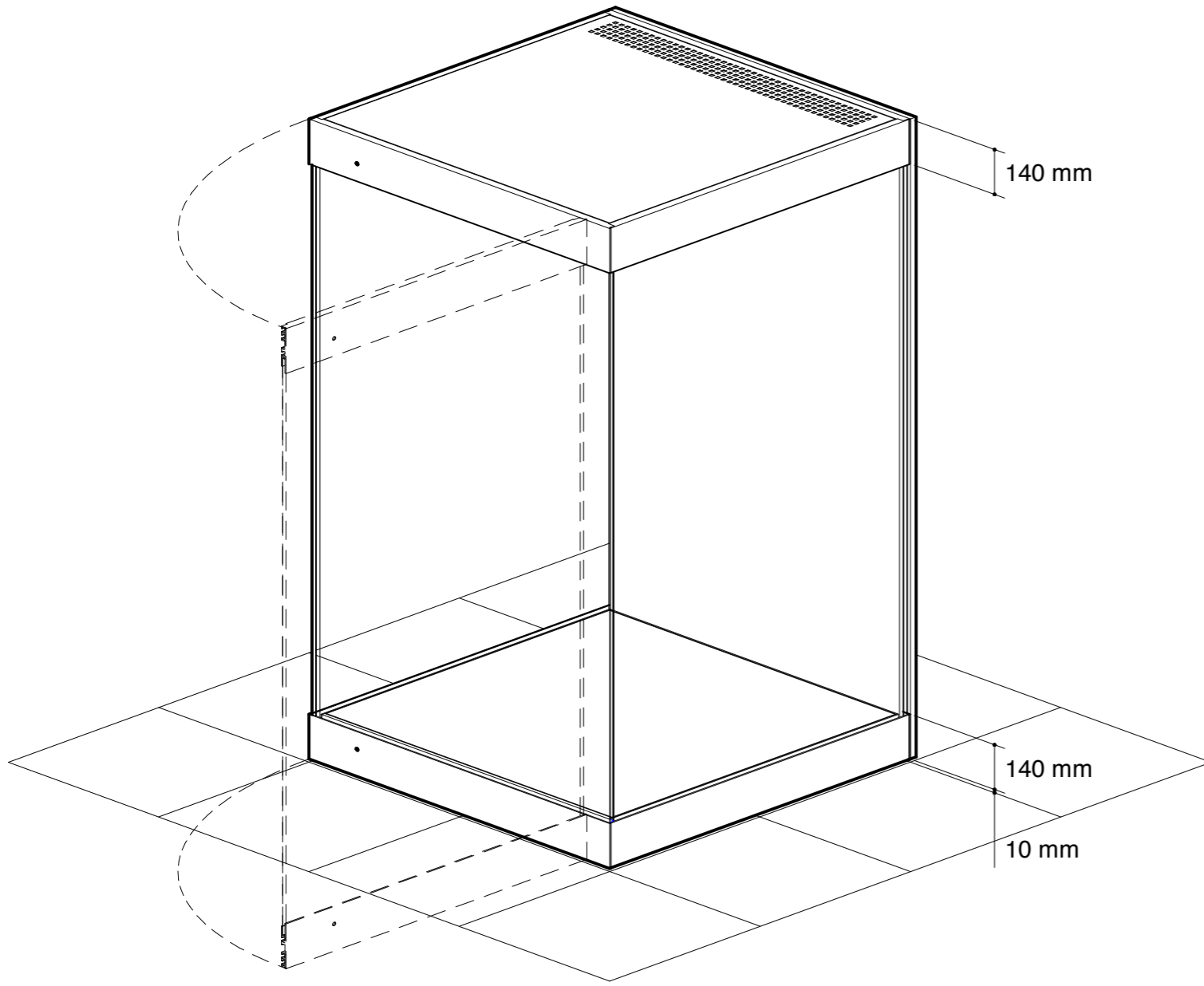


'T' form



'L' form

High security conservation showcase with hinged door
 Glazed on 3 sides with solid back panel



Standard features ●
 Optional features ○

Exterior frame finish ● Polyester powder coated to any RAL colour ref

Glazing

- 11.5mm laminated standard glass
- 13.5mm laminated standard glass
- 11.5mm laminated low iron glass
- 13.5mm laminated low iron glass
- 11.5mm laminated low reflective glass
- 13.5mm laminated low reflective glass

Interior dress panel
 Header, base & back panels in sealed ZF MDF

- Fabric finished to client's specification
- Polyester powder coated to any RAL colour ref
- Conservation grade emulsion painted to client's specification
- Laminate finished to client's specification

Security

- Concealed Abloy balanced cam locks
- Abloy cylinder locks with espagnolette bolt system

Lighting

- Fibre optic heads with remote dimmable low voltage tungsten halogen projector
- Fibre optic heads with remote metal halide projector
- Low voltage LED

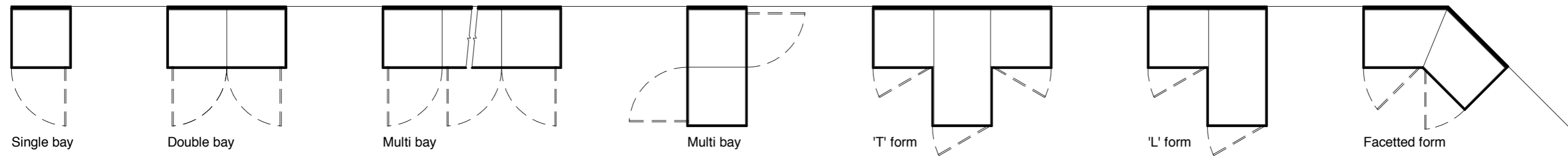
Conditioning

- Silica gel cassette compartment
- Micro Climate AS 600 fan assisted silica gel system for larger volume showcases

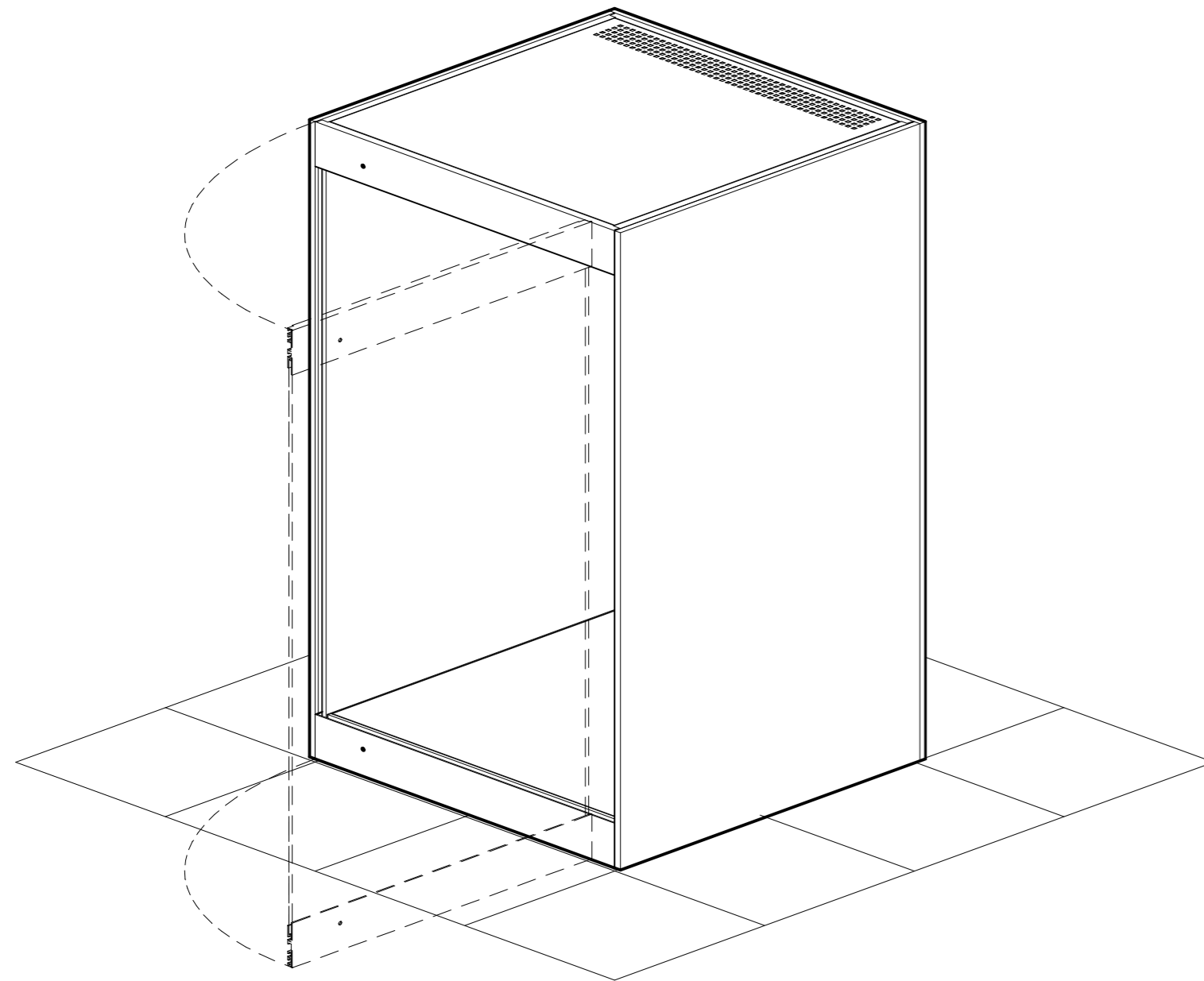
Shelving

- Adjustable suspended rod system with 10mm toughened glass shelves
- Adjustable cantilever system with 10mm toughened glass shelves

Typical 'Corridor' configurations



High security conservation showcase with hinged door
 Glazed on 1 side with solid back and side panels



Standard features ●
 Optional features ○

Exterior frame finish

● Polyester powder coated to any RAL colour ref

Glazing

- 11.5mm laminated standard glass
- 13.5mm laminated standard glass
- 11.5mm laminated low iron glass
- 13.5mm laminated low iron glass
- 11.5mm laminated low reflective glass
- 13.5mm laminated low reflective glass

Interior dress panel

Header & base panels in sealed ZF MDF

- Fabric finished to client's specification
- Polyester powder coated to any RAL colour ref
- Conservation grade emulsion painted to client's specification
- Laminate finished to client's specification

Security

- Concealed Abloy balanced cam locks
- Abloy cylinder locks with espagnolette bolt system

Lighting

- Fibre optic heads with remote dimmable low voltage tungsten halogen projector
- Fibre optic heads with remote metal halide projector
- Low voltage LED

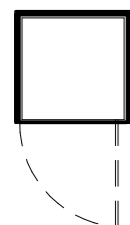
Conditioning

- Silica gel cassette compartment
- Micro Climate AS 600 fan assisted silica gel system for larger volume showcases

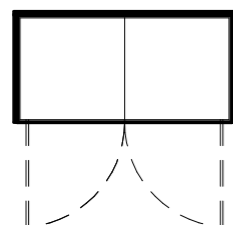
Shelving

- Adjustable suspended rod system with 10mm toughened glass shelves
- Adjustable cantilever system with 10mm toughened glass shelves

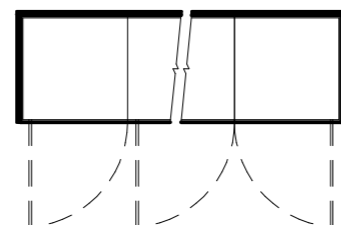
Typical configurations



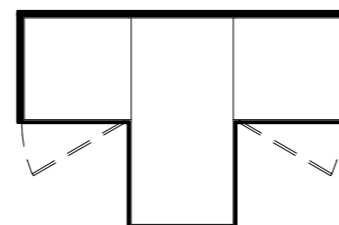
Single bay



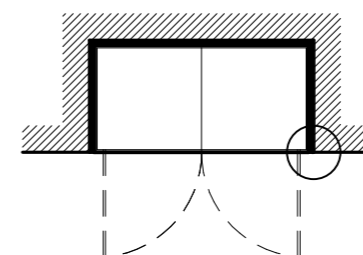
Double bay



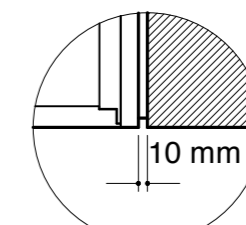
Multi bay



'T' form

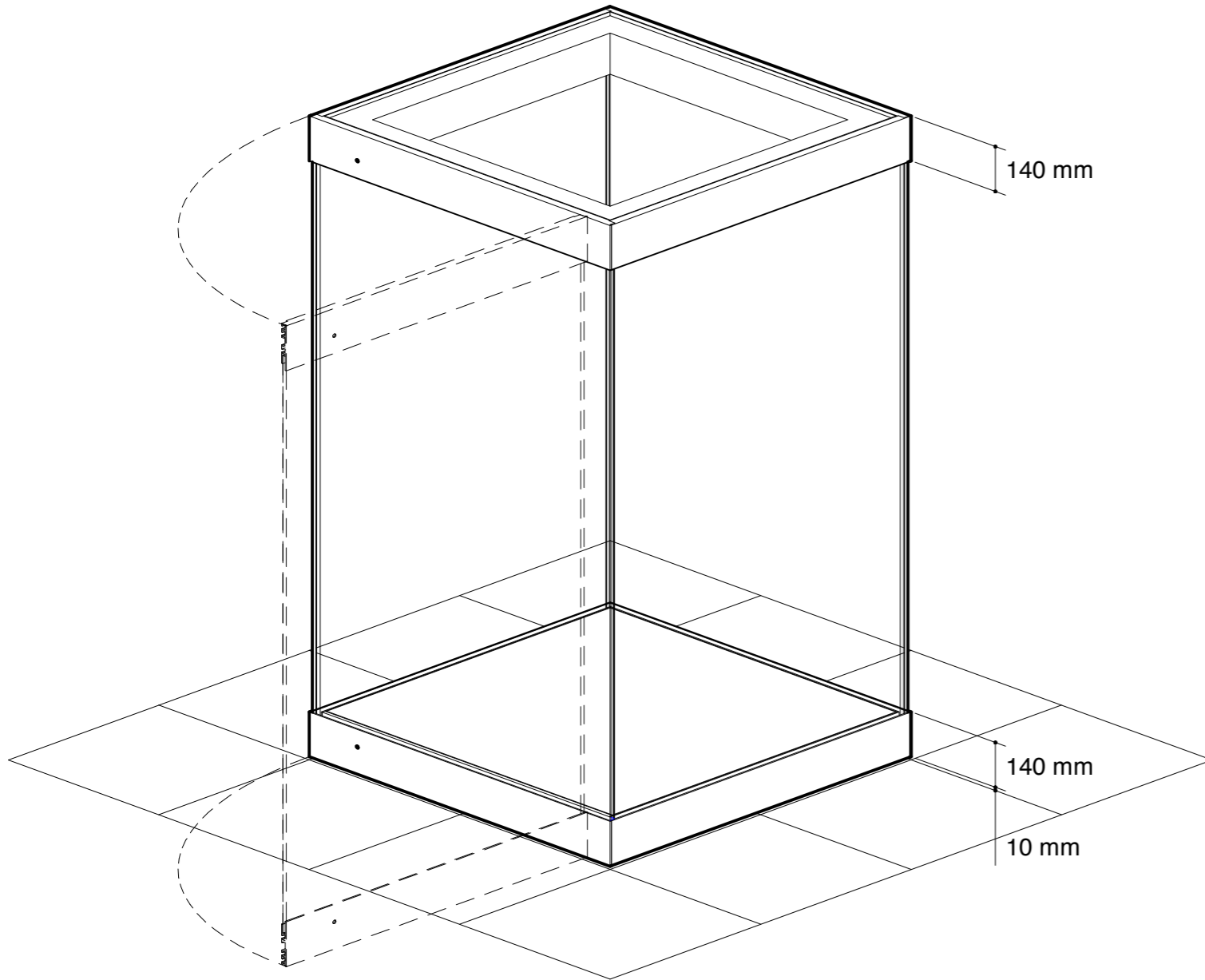


Showcase inset in wall



Detail of typical clearance between showcase & wall

High security conservation showcase with hinged door
 Glazed on 4 sides + glazed top



Standard features ●
 Optional features ○

Exterior frame finish

● Polyester powder coated to any RAL colour ref

Glazing

● 11.5mm laminated standard glass
 ○ 13.5mm laminated standard glass

○ 11.5mm laminated low iron glass
 ○ 13.5mm laminated low iron glass

○ 11.5mm laminated low reflective glass
 ○ 13.5mm laminated low reflective glass

Interior dress panel

Base panel in sealed ZF MDF

○ Fabric finished to client's specification

○ Polyester powder coated to any RAL colour ref

○ Conservation grade emulsion painted to client's specification

○ Laminate finished to client's specification

Security

● Concealed Abloy balanced cam locks

○ Abloy cylinder locks with espagnolette bolt system

Lighting

○ Fibre optic heads with remote dimmable low voltage tungsten halogen projector

○ Fibre optic heads with remote metal halide projector

○ Low voltage LED

Conditioning

○ Silica gel cassette compartment

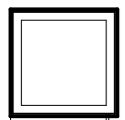
○ Micro Climate AS 600 fan assisted silica gel system for larger volume showcases

Shelving

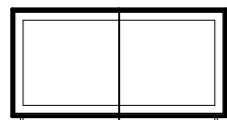
○ Adjustable suspended rod system with 10mm toughened glass shelves

Adjustable cantilever system with 10mm toughened glass shelves

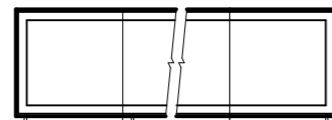
Typical 'Concourse' configurations



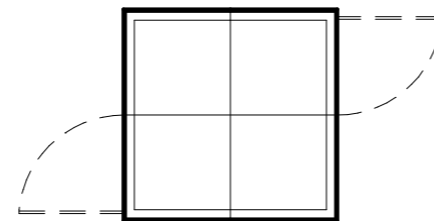
Single bay



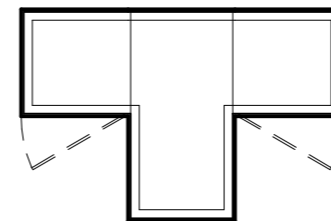
Double bay



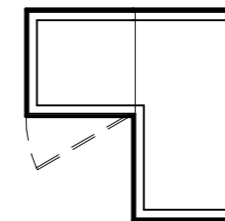
Multi bay



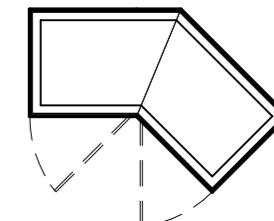
Multi bay



'T' form

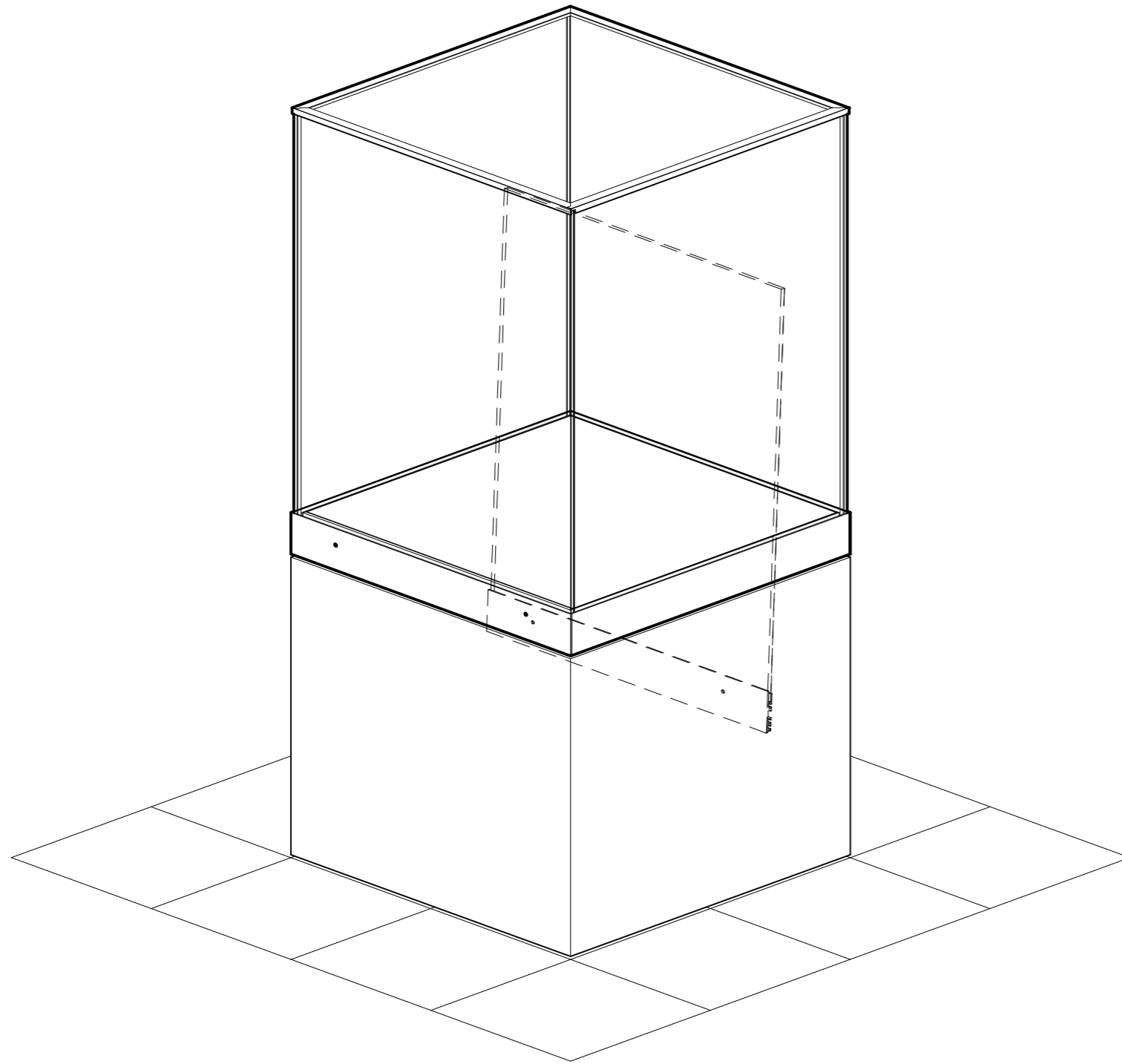


'L' form



Faceted form

High security conservation showcase with single mechanism pull & slide door
 Glazed on 5 sides



Standard features ●
 Optional features ○

Exterior frame finish

● Polyester powder coated to any RAL colour ref

Glazing

● 11.5mm laminated standard glass
 ○ 13.5mm laminated standard glass

○ 11.5mm laminated low iron glass
 ○ 13.5mm laminated low iron glass

○ 11.5mm laminated low reflective glass
 ○ 13.5mm laminated low reflective glass

Interior dress panel

Base panel in sealed
 ZF MDF

○ Fabric finished to client's specification

○ Polyester powder coated to any RAL colour ref

○ Conservation grade emulsion painted to client's
 specification

○ Laminate finished to client's specification

Security

● Concealed Abloy balanced cam locks

○ Abloy cylinder locks with espagnolette
 bolt system

Lighting

○ Fibre optic heads with remote dimmable
 low voltage tungsten halogen projector

○ Fibre optic heads with remote
 metal halide projector

○ Low voltage LED

Conditioning

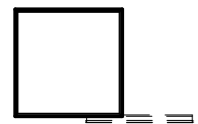
○ Silica gel cassette compartment

○ Micro Climate AS 600 fan assisted silica gel system
 for larger volume showcases

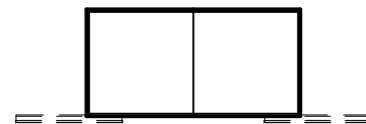
Shelving

○ Adjustable suspended rod system with
 10mm toughened glass shelves

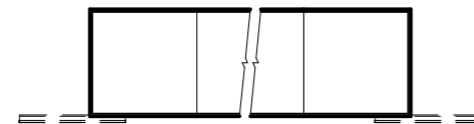
Typical 'Concourse' configurations



Single bay

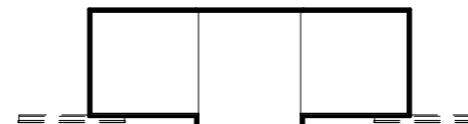


Double bay



fixed glazing

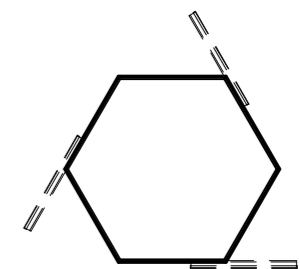
Multi bay



'T' form

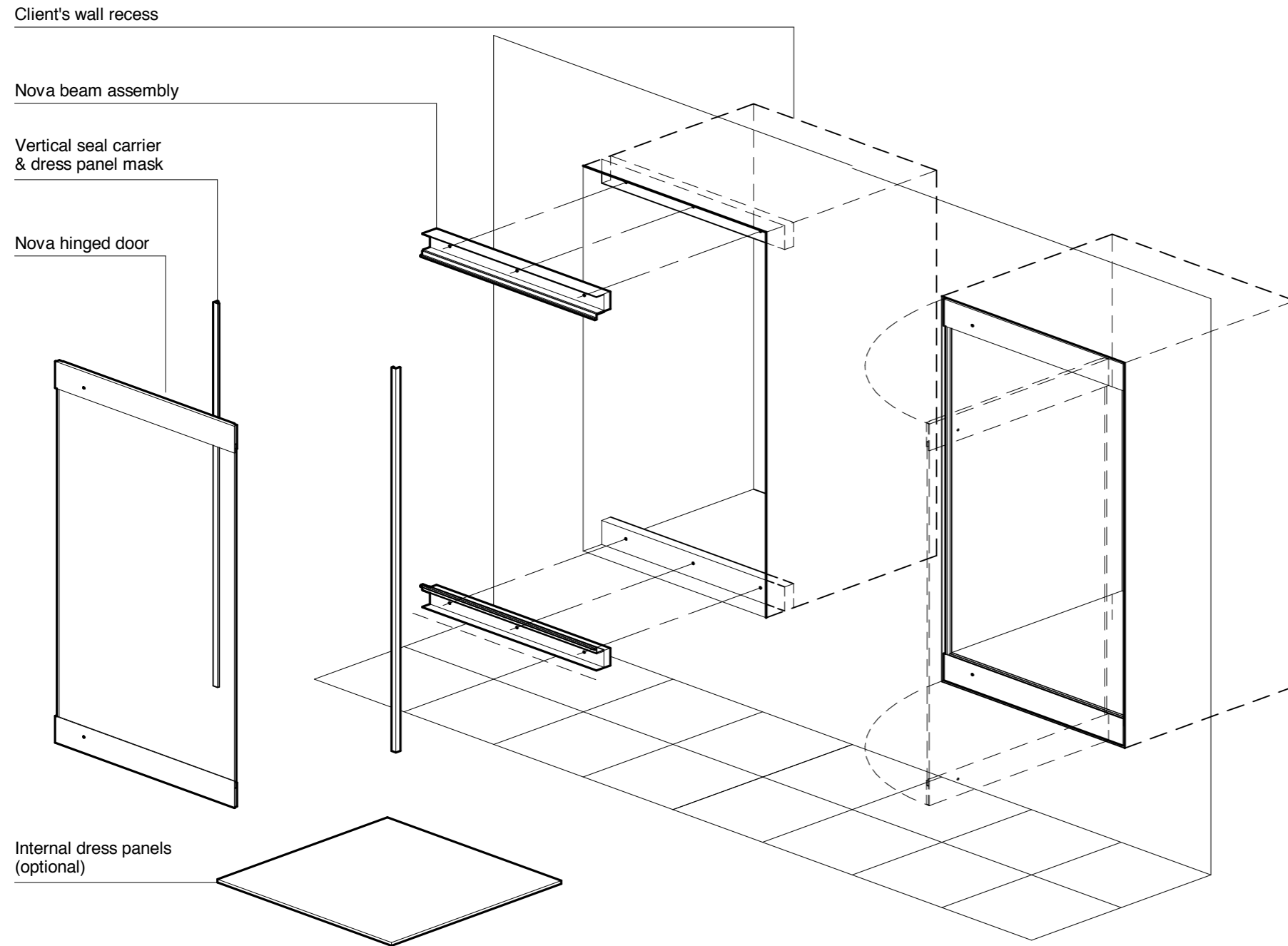


'L' form



Facetted form

Fascia System-High security conservation casefront with glazed hinged door



Standard features ●
Optional features ○

Exterior frame finish

● Polyester powder coated to any RAL colour ref

Glazing

● 11.5mm laminated standard glass
○ 13.5mm laminated standard glass

○ 11.5mm laminated low iron glass
○ 13.5mm laminated low iron glass

○ 11.5mm laminated low reflective glass
○ 13.5mm laminated low reflective glass

Interior dress panel

Header, base, side & back panels in sealed ZF MDF

○ Fabric finished to client's specification

○ Polyester powder coated to any RAL colour ref

○ Conservation grade emulsion painted to client's specification

○ Laminate finished to client's specification

Security

● Concealed Abloy balanced cam locks

○ Abloy cylinder locks with espagnolette bolt system

Lighting

○ Fibre optic heads with remote dimmable low voltage tungsten halogen projector

○ Fibre optic heads with remote metal halide projector

○ Low voltage LED

Conditioning

○ Silica gel cassette compartment

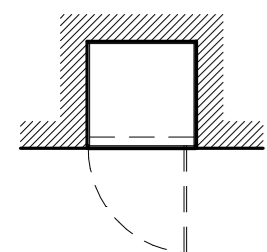
○ Micro Climate AS 600 fan assisted silica gel system for larger volume showcases

Shelving

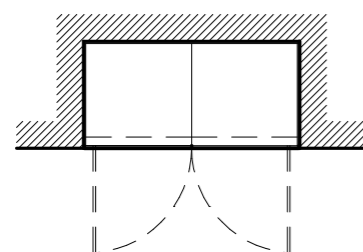
○ Adjustable suspended rod system with 10mm toughened glass shelves

○ Adjustable cantilever system with 10mm toughened glass shelves

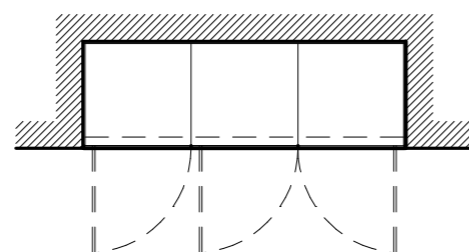
Typical configurations



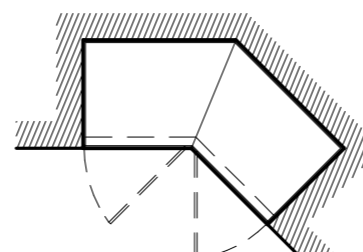
Single bay



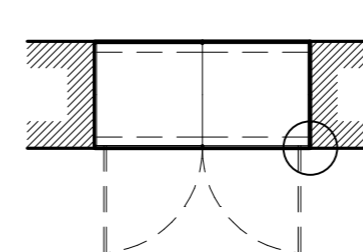
Double bay



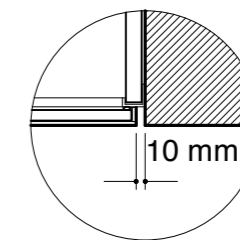
Multi bay



Facetted form



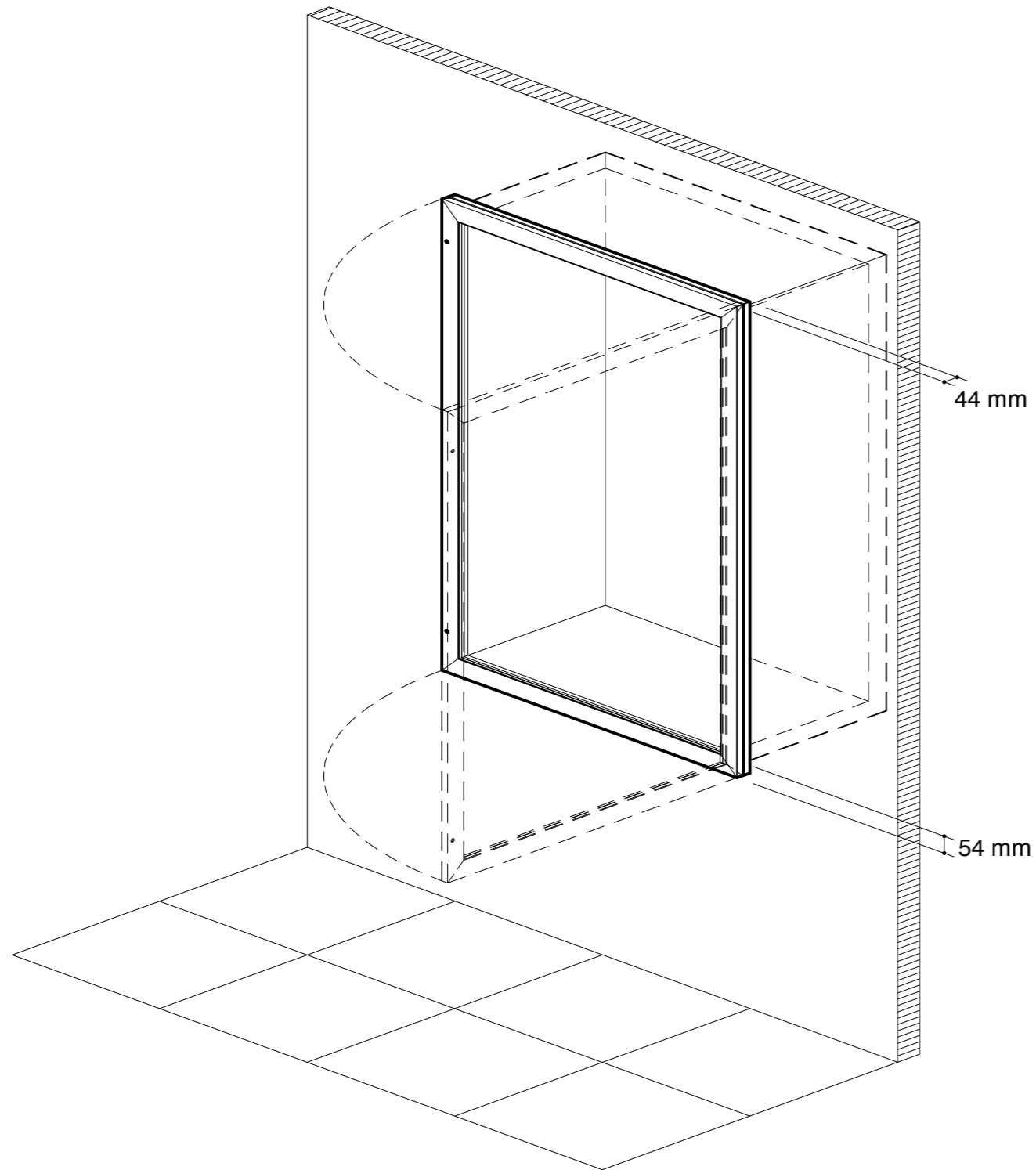
Double sided



Detail of typical clearance between casefront & wall

Pro Frame

High security conservation casefront with hinged door
For building into structures



Standard features ●
Optional features ○

Exterior frame finish

● Polyester powder coated to any RAL colour ref

Glazing

- 9.5mm laminated standard glass
- 11.5mm laminated standard glass
- 9.5mm laminated low iron glass
- 11.5mm laminated low iron glass
- 9.5mm laminated low reflective glass
- 11.5mm laminated low reflective glass

Carcase

● Museum grade sealed ZF MDF

Interior dress panels

Header, base, side & back panels in sealed ZF MDF

- Fabric finished to client's specification
- Polyester powder coated to any RAL colour ref
- Conservation grade emulsion painted to client's specification
- Laminate finished to client's specification

Security

● Concealed Abloy balanced cam locks

Lighting

- Fibre optic heads with remote dimmable low voltage tungsten halogen projector
- Fibre optic heads with remote metal halide projector
- Low voltage LED

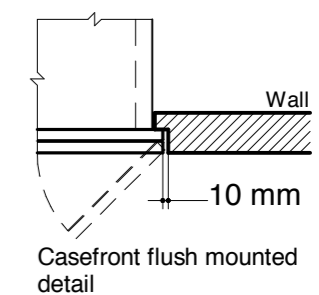
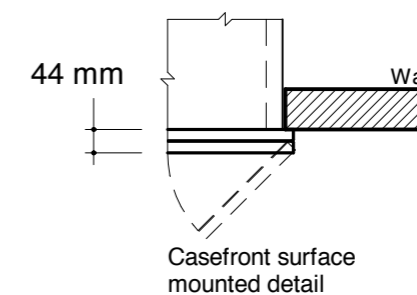
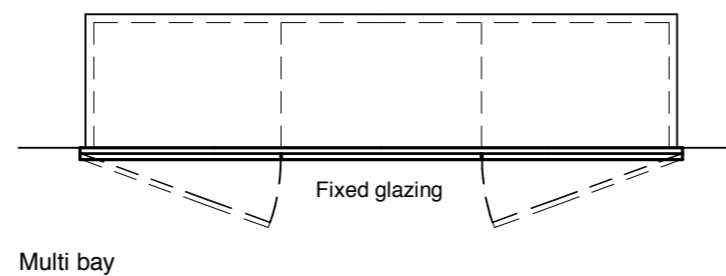
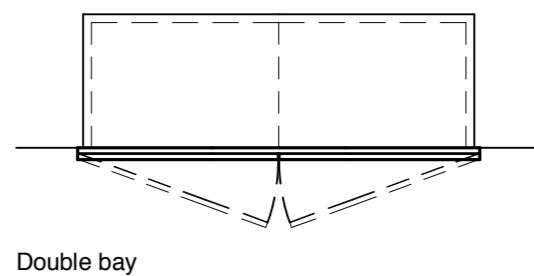
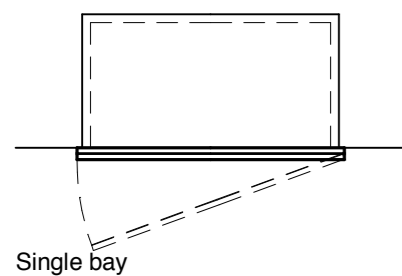
Conditioning

- Silica gel cassette compartment
- Micro Climate AS 600 fan assisted silica gel system for larger volume showcases

Shelving

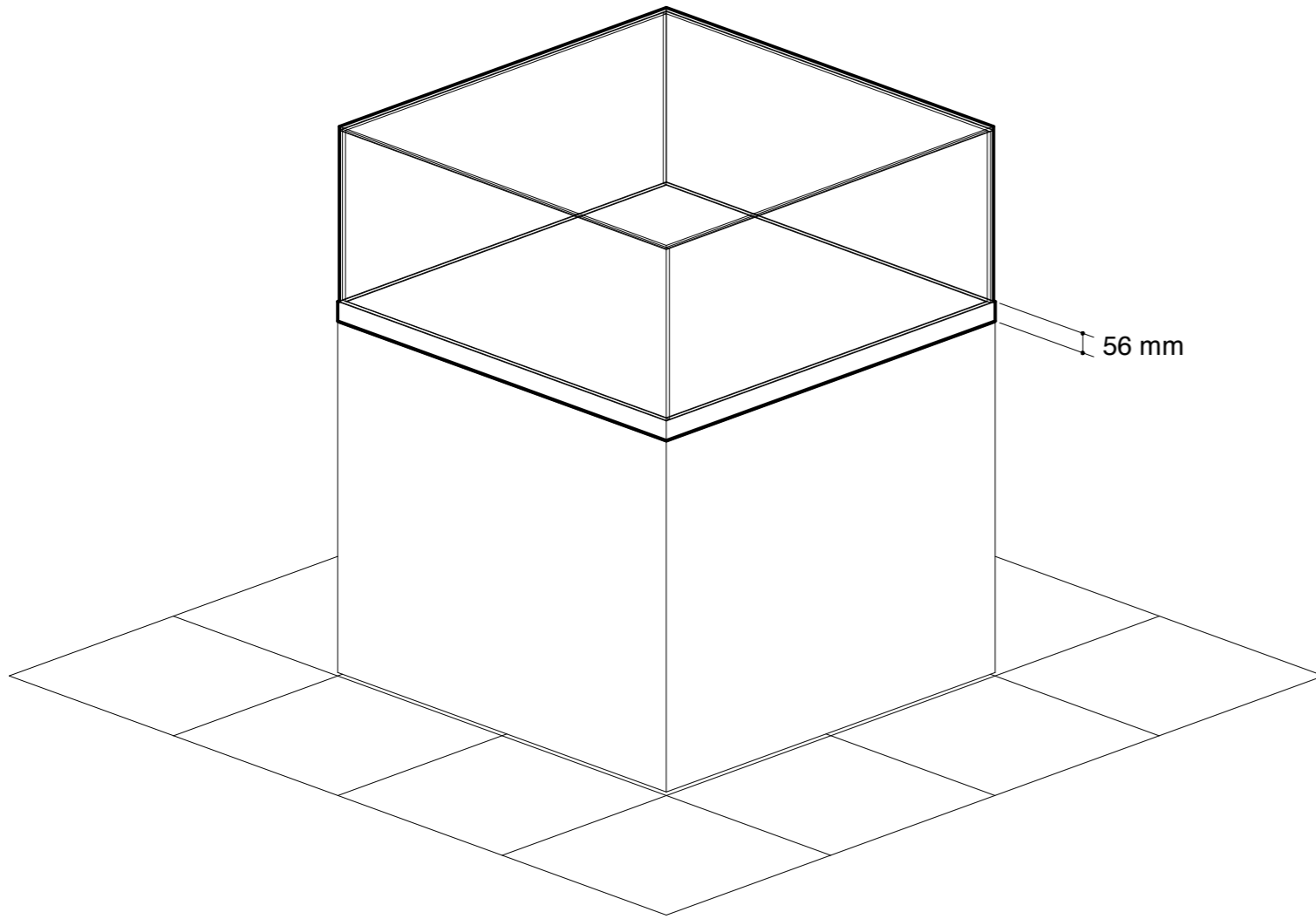
- Adjustable suspended rod system with 10mm toughened glass shelves
- Adjustable cantilever system with 10mm toughened glass shelves

Typical configurations



Vision

Plinth top high security conservation showcase - Lift off or Hinged canopy
 Glazed on 5 sides



Standard features ●
 Optional features ○

Exterior frame finish

● Polyester powder coated to any RAL colour ref

Glazing

● 9.5mm laminated standard glass

○ 9.5mm laminated low iron glass

Interior dress panel

Base panel in sealed ZF MDF

○ Fabric finished to client's specification

○ Polyester powder coated to any RAL colour ref

○ Conservation grade emulsion painted to client's specification

○ Laminate finished to client's specification

Security

● Abloy push locks

Lighting

○ Fibre optic heads with remote dimmable low voltage tungsten halogen projector

○ Fibre optic heads with remote metal halide projector

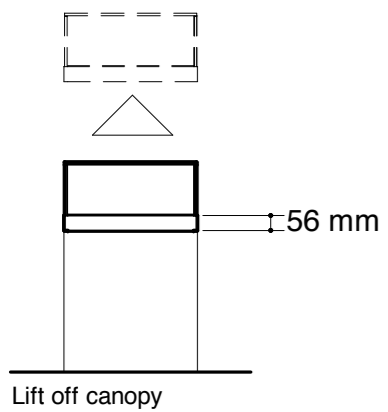
○ Low voltage LED

Conditioning

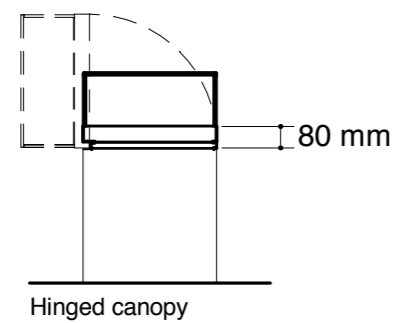
○ Silica gel cassette compartment

○ Micro Climate AS 600 fan assisted silica gel system for larger volume showcases

Typical configurations

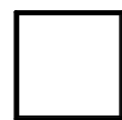


Lift off canopy



Hinged canopy

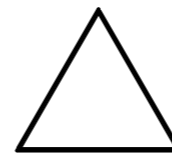
Potential plan shapes



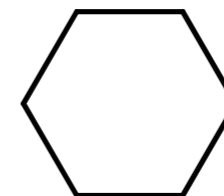
Square section



Rectangular section



Triangular section

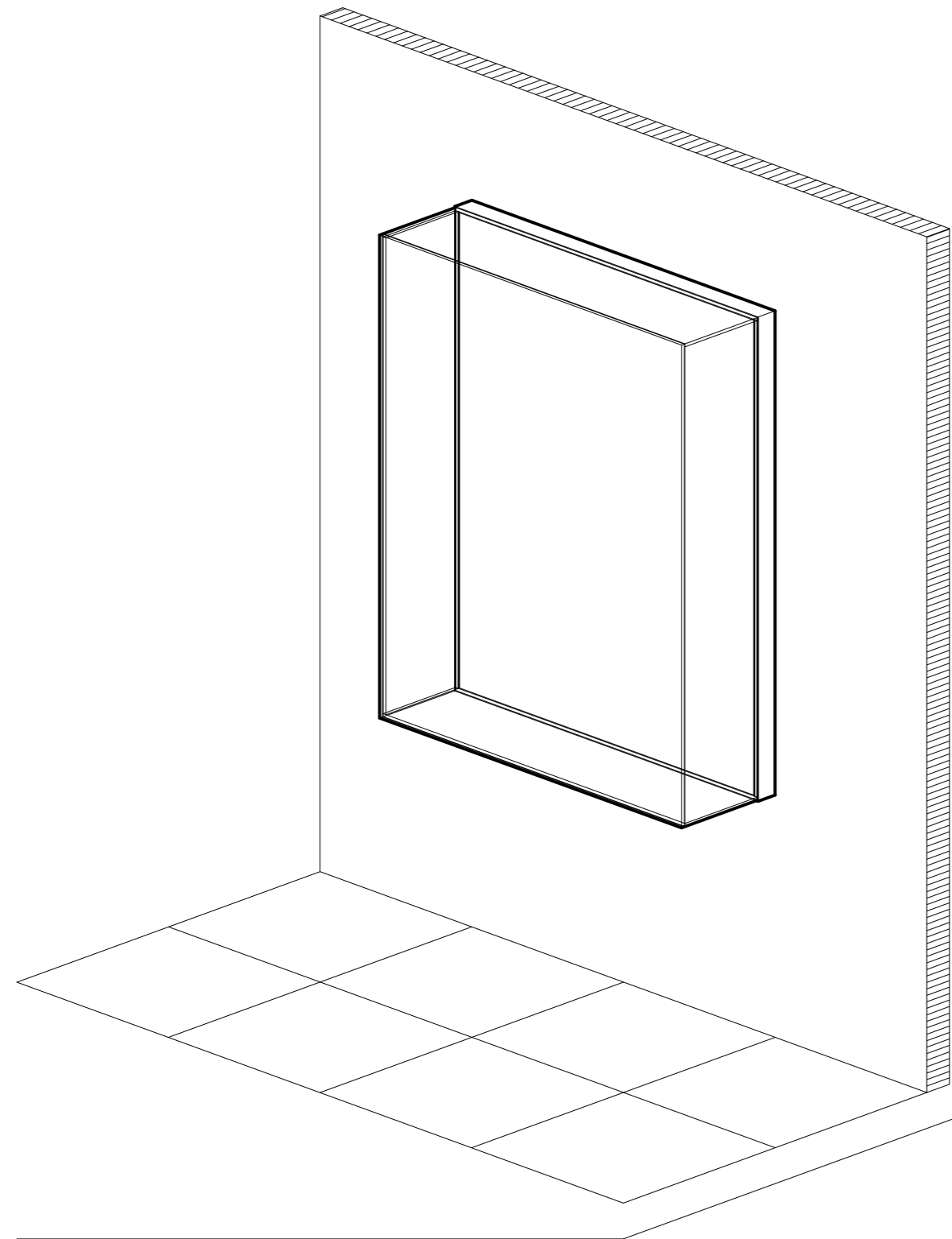


Multi sided section

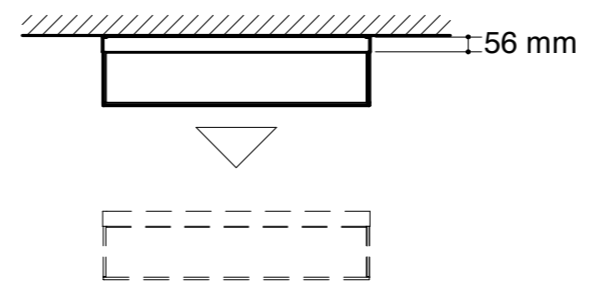
Vision

Wall mounted high security conservation showcase - Lift off or Hinged canopy

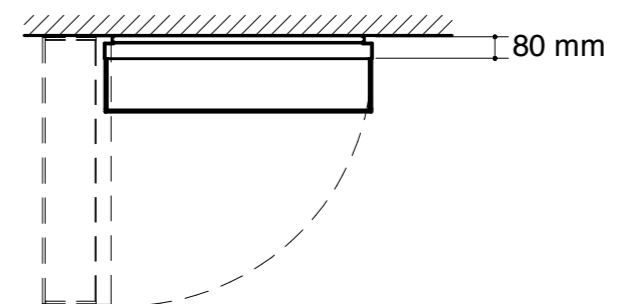
Glazed on 5 sides



Typical configurations



Lift off canopy



Hinged canopy

Standard features ●

Optional features ○

Exterior frame finish

- Polyester powder coated to any RAL colour ref

Glazing

- 9.5mm laminated standard glass
- 9.5mm laminated low iron glass

Interior dress panel

Back panel in sealed ZF MDF

- Fabric finished to client's specification
- Polyester powder coated to any RAL colour ref
- Conservation grade emulsion painted to client's specification
- Laminate finished to client's specification

Security

- Abloy push locks

Lighting

- Fibre optic heads with remote dimmable low voltage tungsten halogen projector
- Fibre optic heads with remote metal halide projector
- Low voltage LED

Conditioning

- Silica gel cassette compartment
- Micro Climate AS 600 fan assisted silica gel system for larger volume showcases

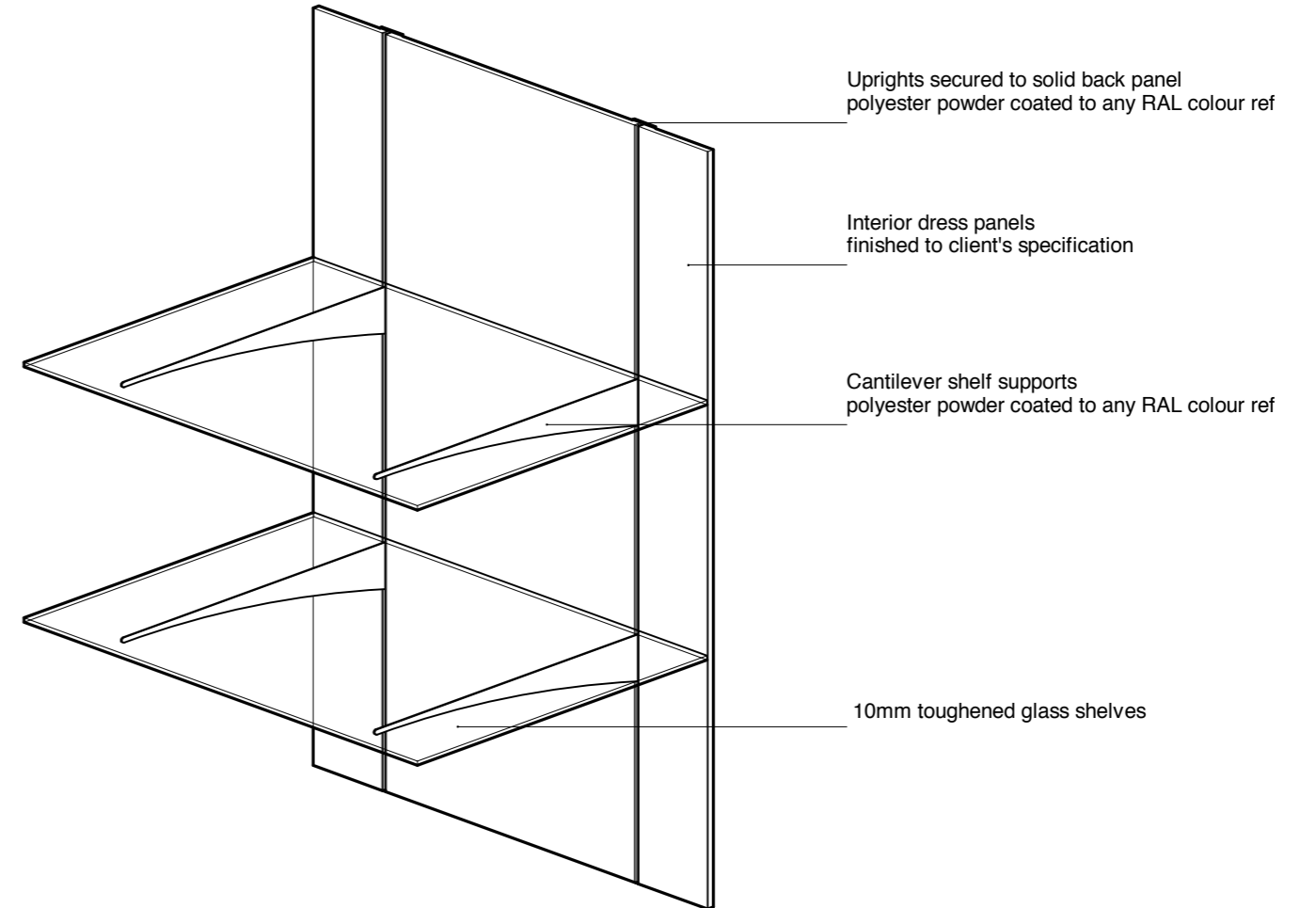
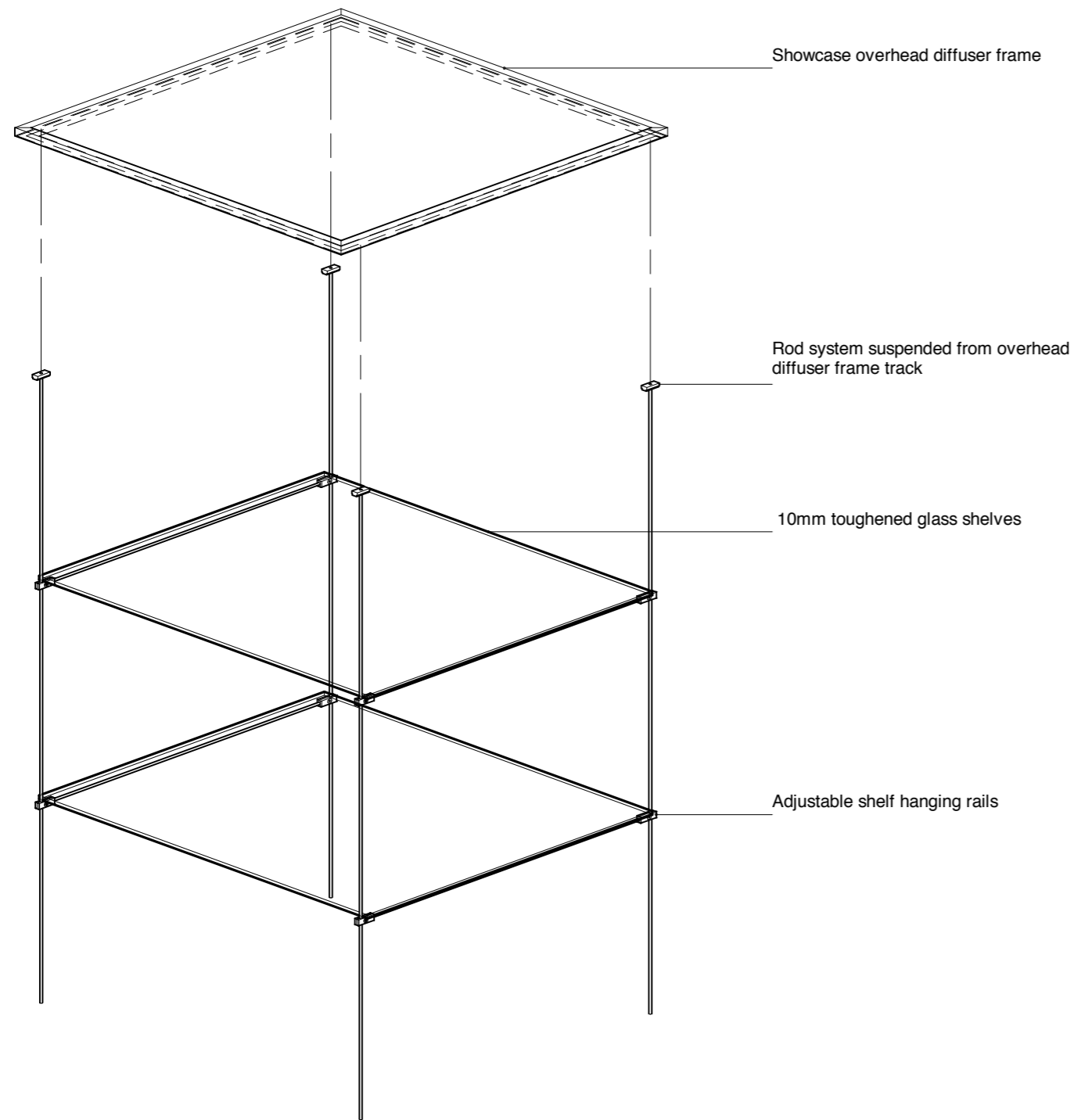
Shelving

- Adjustable cantilever system with 10mm toughened glass shelves

Shelving

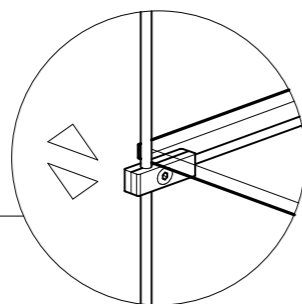
Suspended rod shelving system

Cantilever shelving system



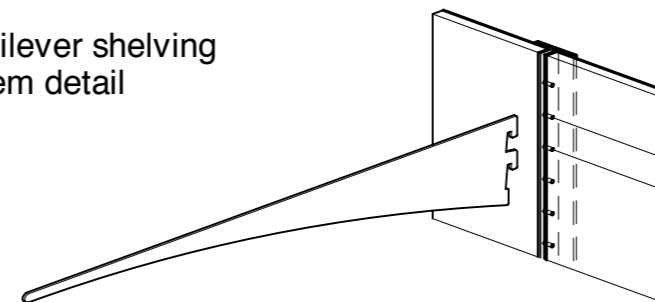
Suspended rod shelving system detail

Easily adjustable shelf hanging rails



Cantilever shelving system detail

Shelf adjustment pitch
40 mm



**ARMOUR
SYSTEMS**



CONSERVATION BY DESIGN

A Larson-Juhl Company

Armour Systems
Lyon Road,
Denbigh West,
Milton Keynes
MK1 1EX
GREAT BRITAIN

<http://www.armoursystems.co.uk>

info@armoursystems.co.uk

T: +44(0)1908 377333

F: +44(0)1908 631263